

DTE01

Digital-to-Ethernet Converter

- DTE01 makes it possible to set and monitor digital I/O over Ethernet
- It is easy to integrate and manage
- 10/100 Mbps Ethernet Interface
- 5 digital inputs e 5 digital outputs
- Remote configuration with standard browser
- Alarm-based e-mail or SNMP trap



Description

DTE01 Converter enables the connection of sensors and actuators to an Ethernet-TCP/IP network. Easy installation, configuration and management are the main features of this device, which makes it possible to set digital outputs and monitor digital inputs over Ethernet networks. DTE01 can be configured with any web-browser. It is possible to set an e-mail or SNMP-trap alarm sending according to different input conditions. DTE01 comes with MG Device Discovery tool for the first configuration and with a managing software for multiple device control with a single Windows PC.

Supported Protocols

- TCP, UDP, IP, ARP, ICMP, DHCP, SMTP, SSL, HTTP, HTTPS, SNMP.
- Server and Client operating mode.

Ethernet connection

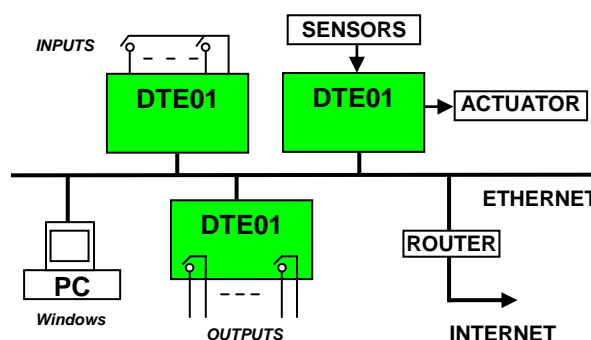
- RJ45 Auto-sensing 10/100 Mbps.

Inputs

- 5 digital inputs with optoisolation on 6-pole connector

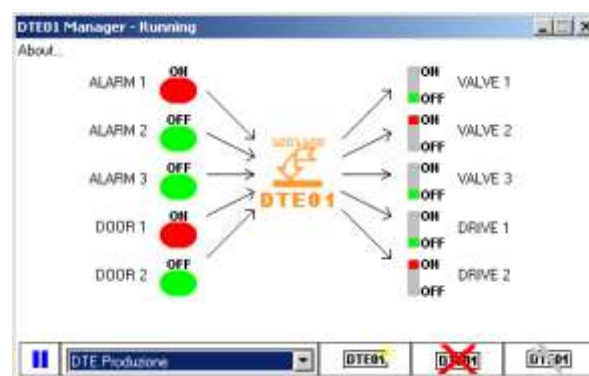
Outputs

- 5 independent relay outputs on 10-pole connector.



Applications

- Remote monitoring of contacts, switches or alarms, actuators setting, transducer monitoring, process control.
- Door, gate, light and valve management.
- Box-to-Box point-to-point, point-to-multipoint or PC-based management of several devices.



Supported operating systems

Windows, Linux.

Technical Data

- Power supply: 9-30 Vdc 4 W.
- LED: link, activity, power.
- Operating temperature: -20°C ÷ +60 °C.
- Humidity: 5 ÷ 90 % (non-condensing).
- Dimension: 106x33x83 (LxHxW).
- Alluminium case.
- 1 KV input isolation
- Output contacts: 1 A @ 30 Vdc/240 Vac, 2 A @ 125 Vac.
- Custom software and application on request.

Rev. 09/11