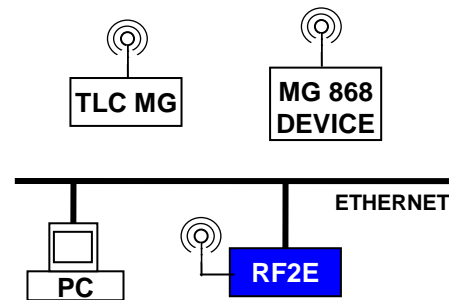


RF2E

RF-868 – LAN Converter

- Bidirectional Serial – RF 868 MHz converter
- TCP/IP protocol conversion
- 10/100 Mbps Ethernet interface
- Browser based configuration
- Wide input power supply



Description

RF2E converter allows the connection between MG radio devices with 868 Mhz ISM band, to LAN over TCP/IP protocol. Data conversion is in RAW mode. The type of transmission in 868 MHz band is LBT (Listen Before Talk) with configurable frequency hopping. This feature ensures high reliability and noise protection.

Supported protocols

- TCP, IP, ARP, ICMP, DHCP, HTTP.

LAN network connection

- RJ45 Auto-sensing 10/100 Mbps.

868 MHz network connection

- Transmission power: 10 dBm typical.
- Receiver sensitivity: -100 dBm @ 0,1% BER.
- Available channels: 20.
- Antenna connector: SMA F.
- RF Data rate: 50 Kbps.

Applications

- Connection of MG 868 MHz devices such as RF2S to Ethernet over TCP/IP.

Other Features

- Power supply: 5-30 Vdc 1,5 W with external adapter.
- LED: link, activity, power.
- Operating temperature: -20°C – +60 °C.
- Humidity: 5 – 90 % (not condensing).
- Dimensions: 106x33x55 (LxHxW).
- Aluminium case.
- 1.5 KV insulation on Ethernet.
- CE type-approval, RoHS.
- Antenna included.

Rev. 01/14