

RF2S

Serial – RF-868 Converter

- Bidirectional Serial – RF 868 MHz converter
- 1 RS.485 serial port
- RAW data transmission to RF2E device
- DIN-rail module case

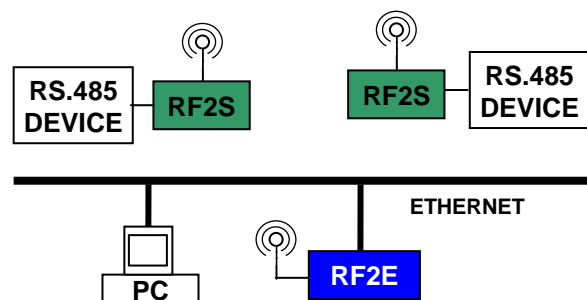


Description

RF2S works in combination with RF2E converter to make a 868 MHz radio bridge between serial devices and Ethernet network. The possibility to connect many RF2S devices to one RF2E device brings the system to many scenarios and reduces wirings.

Data conversion is in RAW mode.

The type of transmission in 868 MHz band is LBT (Listen Before Talk) with configurable frequency hopping. This feature ensures high reliability and noise protection.



Serial port

- 1 RS.485 serial port.
- Serial speed: from 4800 to 38400 bps.
- Data format: 8 bit; parity None, 1 stop bit.

868 MHz network connection

- Transmission power: 10 dBm typical.
- Receiver sensitivity: -100 dBm @ 0,1% BER
- Antenna connector: SMA F.
- RF Data rate: 50 Kbps.
- Range: 100 m (antennas in sight)

Applications

- Endpoint for RF2E device, that can become a master for many RF2S devices.

Other Features

- Power supply: 5-30 Vdc 1,5 W with external adapter.
- LED: serial data, RF data, Power.
- Operating temperature: -20°C – +60 °C.
- Humidity: 5 – 90 % (not condensing).
- Dimension: 2 Module DIN-rail.
- RS.485 ESD protection.
- CE type-approval, RoHS.
- Antenna included.

Rev. 01/14