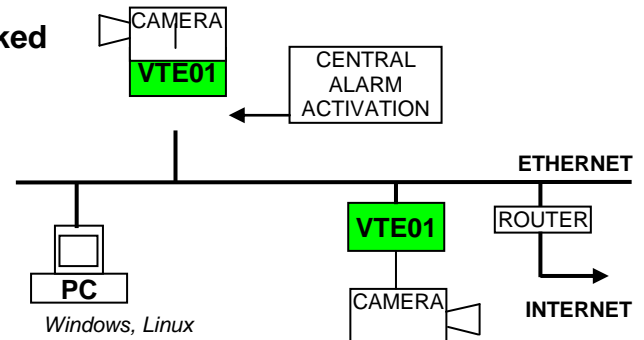


# VTE01

## Video-to-Ethernet Converter with DVR

- It transforms analog video into digital packed video for transport over IP networks
- H.264 and MPEG4 compression
- 10/100 Mbps Ethernet interface
- Input video direct display and configuration with web browser
- Pre- and post-alarm video recording triggered by external signal (contact)
- MMC/SD slot for local video recording



### Description

VTE01 converter (Encoder) allows the connection of any analog video stream to Ethernet networks with IP protocol. The product is characterized by its easy installation and configuration, its high quality video streaming, secured by the supported compressions, even at high frame rates and low bit rates.

VTE01 allows both viewing of live video with the browser, and the recording of pre- and post-alarm video on internal memory or on additional MMC/SD, started by an external contact.

VTE01 can be configured with any web browser and the transmission of alarm files is done with FTP protocol.

### Video input

- 1 CVBS on BNC connector

### Video resolution

- QCIF (176x144)
- QVGA (320x240)
- CIF (352x288)
- VGA (640x480)
- 4CIF (704x576)
- D1 (720x576)

### Supported compressions

- H.264, MPEG4

### Video processor features

- Frame rate up to 25 pictures/sec
- Overlay of date/time from internal RTC
- Configurable text overlay
- Configurable masking
- Configurable pre- and post-alarm video length
- Alarm-based e-mail
- Configurable motion detection

### Supported protocols

- TCP, IP, ARP, ICMP, DHCP, HTTP, FTP, RTSP, RTP

### Interfaces

- 1 10/100 Mbps Ethernet interface
- 1 RS.232 serial port
- 1 opto-isolated alarm input (NC)

### Memory

- 64 MB internal flash
- MMC/SD slot

### Applications

- Video-surveillance
- Local video recording
- Video transmission over IP networks

### Other features

- Power supply: 12 Vdc 3 W
- LED: power, run, link
- Operating temperature: -20°C ÷ +60 °C
- Humidity: 5 ÷ 90 % (not condensing)
- Dimensions: 106x33x123 (LxHxW)
- Aluminium case

Rev. 10/11